

Digital Driver Sight Periscope



AN/VSS-502 next generation digital military driver sight system was designed by Wärtsilä in Germany according to armed forces requirements and meets all military standards.

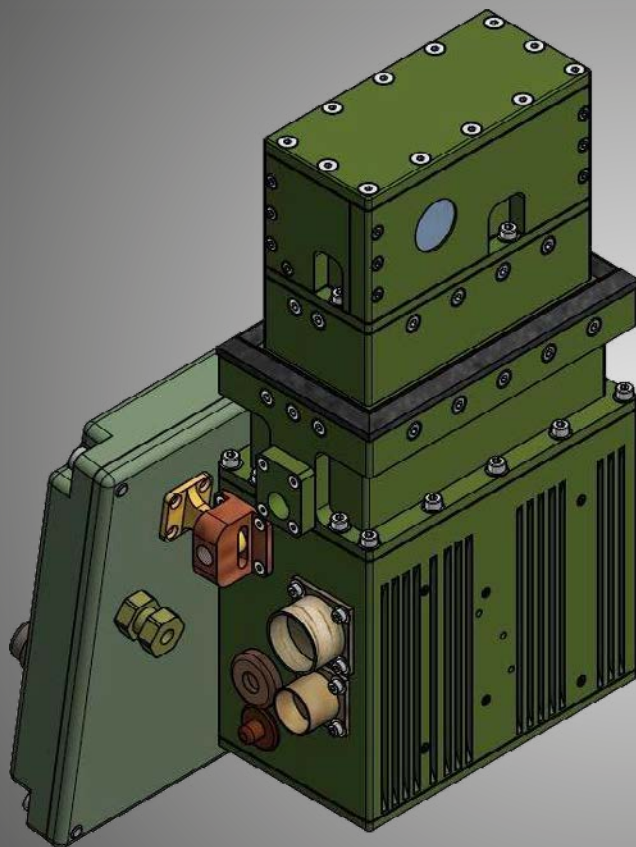
Wärtsilä has extensive experience and a track record of night vision equipment since 1962.

The driver sight system fit for MBTs, APCs, AFCs, special purpose vehicles and can replace former image intensifier driver night sight systems, day sight periscopes or other camera systems.

It consists state-of-the-art sensors and electronic components designed under the measures of the latest available technology. The components are selected to fulfil the requirements of MIL-STD 810 and MIL-STD 1275 equipment.

The electronics and sensors are housed in a modular body which is

protection class IP68K. The system is extreme robust, reliable and well protected against harsh environmental condition like gunfire shocks, vibrations, high and low temperature, water, sand & dust.



Key Features

- Fast push-pull installation
- Digital system with software features
- Dual use IR camera
- Passive cooling
- 24 VDC supply acc. MIL-1275 STD
- Low lifecycle cost
- Integrated Logistic Support (ILS)

General Specification

- Uncooled long wave IR camera
640 x 480
- Magnification: 1:1
- Focus range: 4 m to infinity
- Monitor: 8.4" XGA TFT LCD
- Adjustable and detachable monitor
- Passive cooled, rugged integrated embedded computer
- Input supply: 24 VDC
- Modular design & low MTTR
- Ruggedized transport and storage box
- Designed & tested acc. MIL-STD 810 and MIL-STD 1275
- Wide operating temperature
-40°C to +71°C